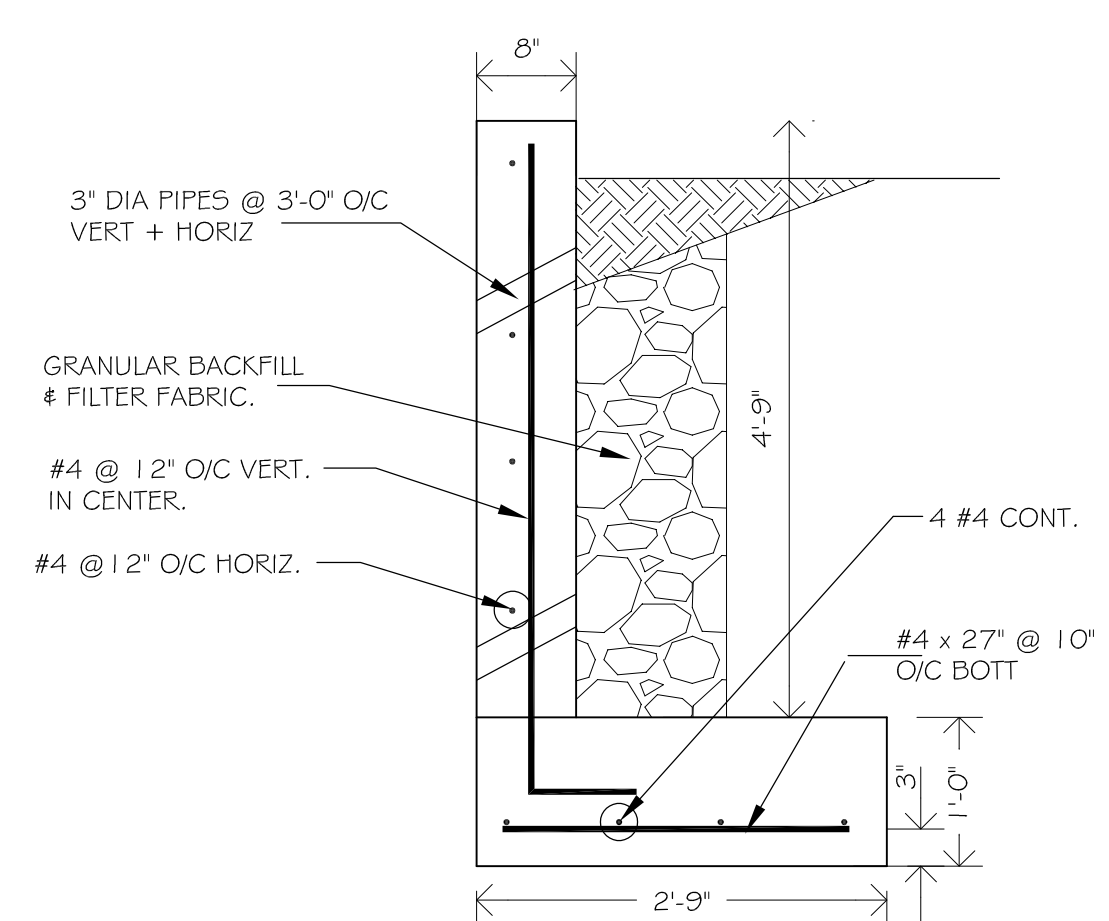
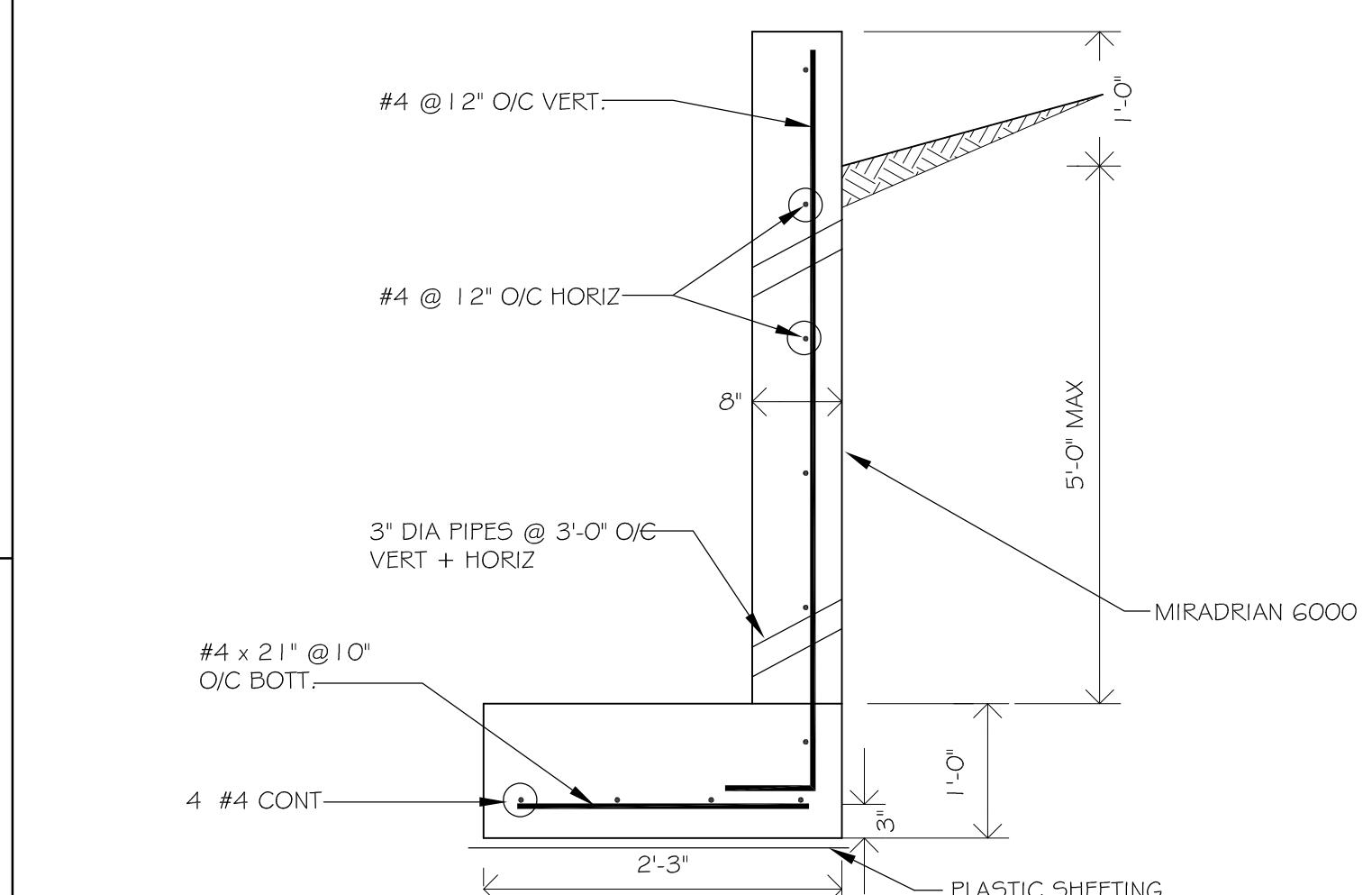
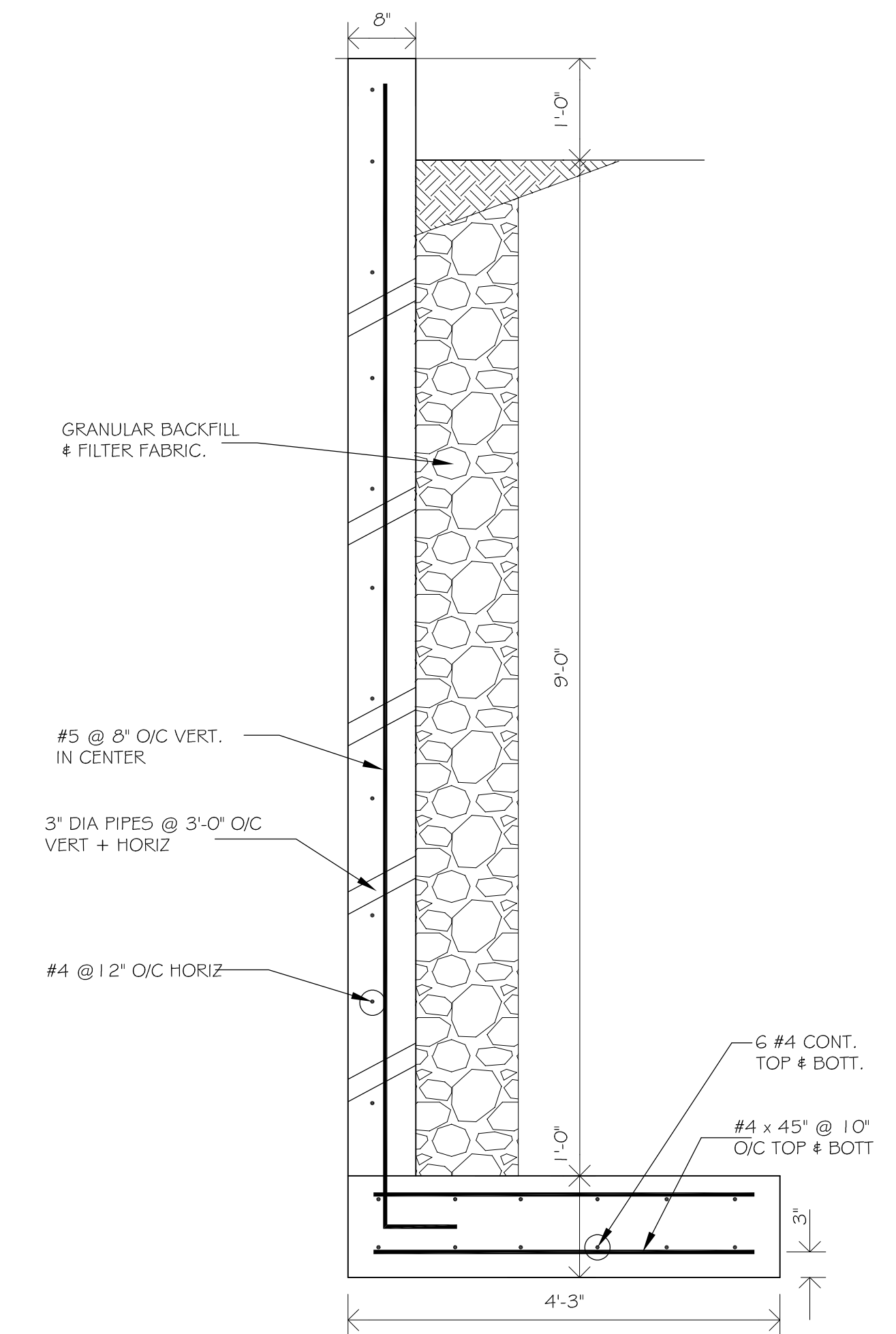
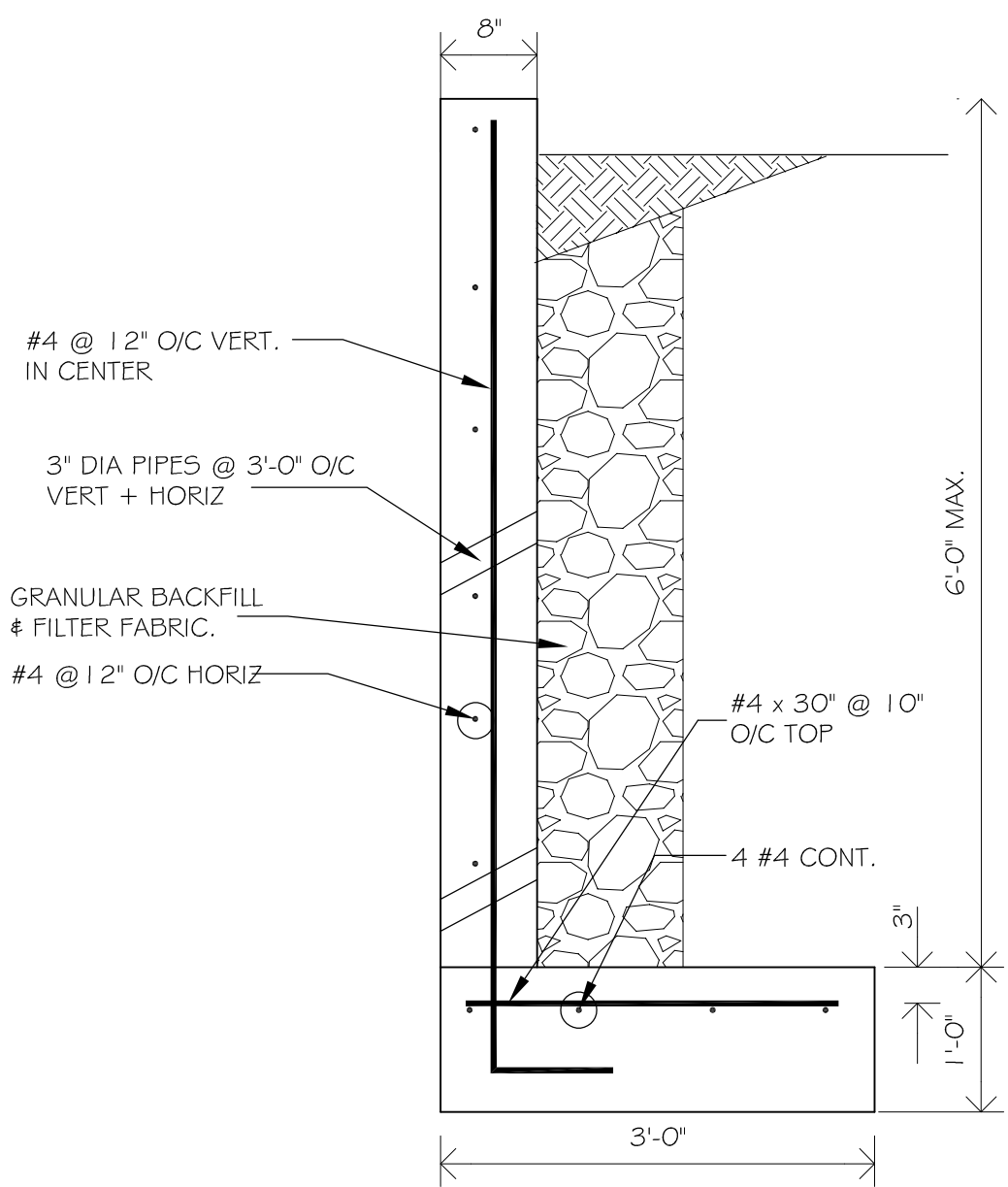


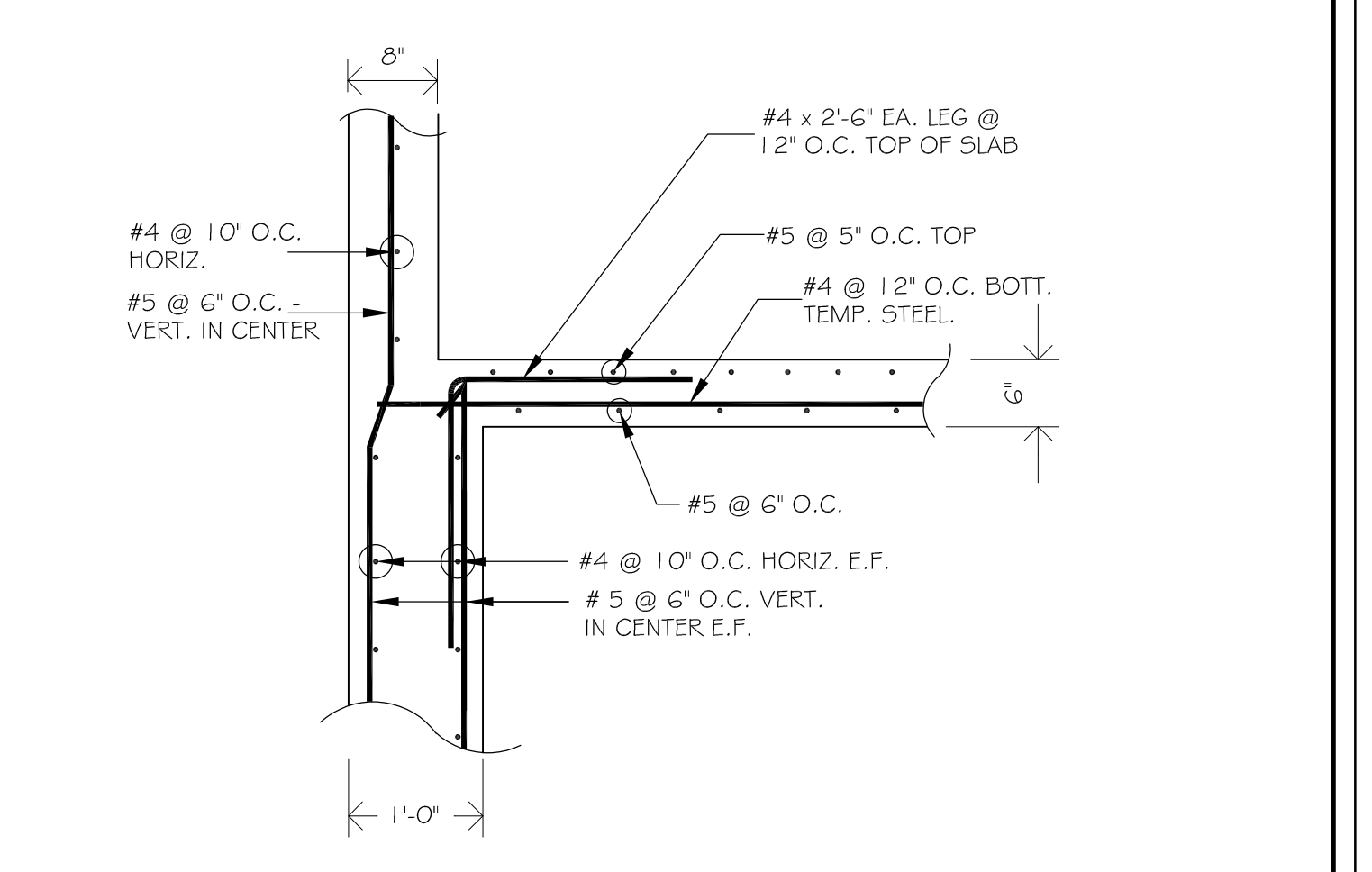
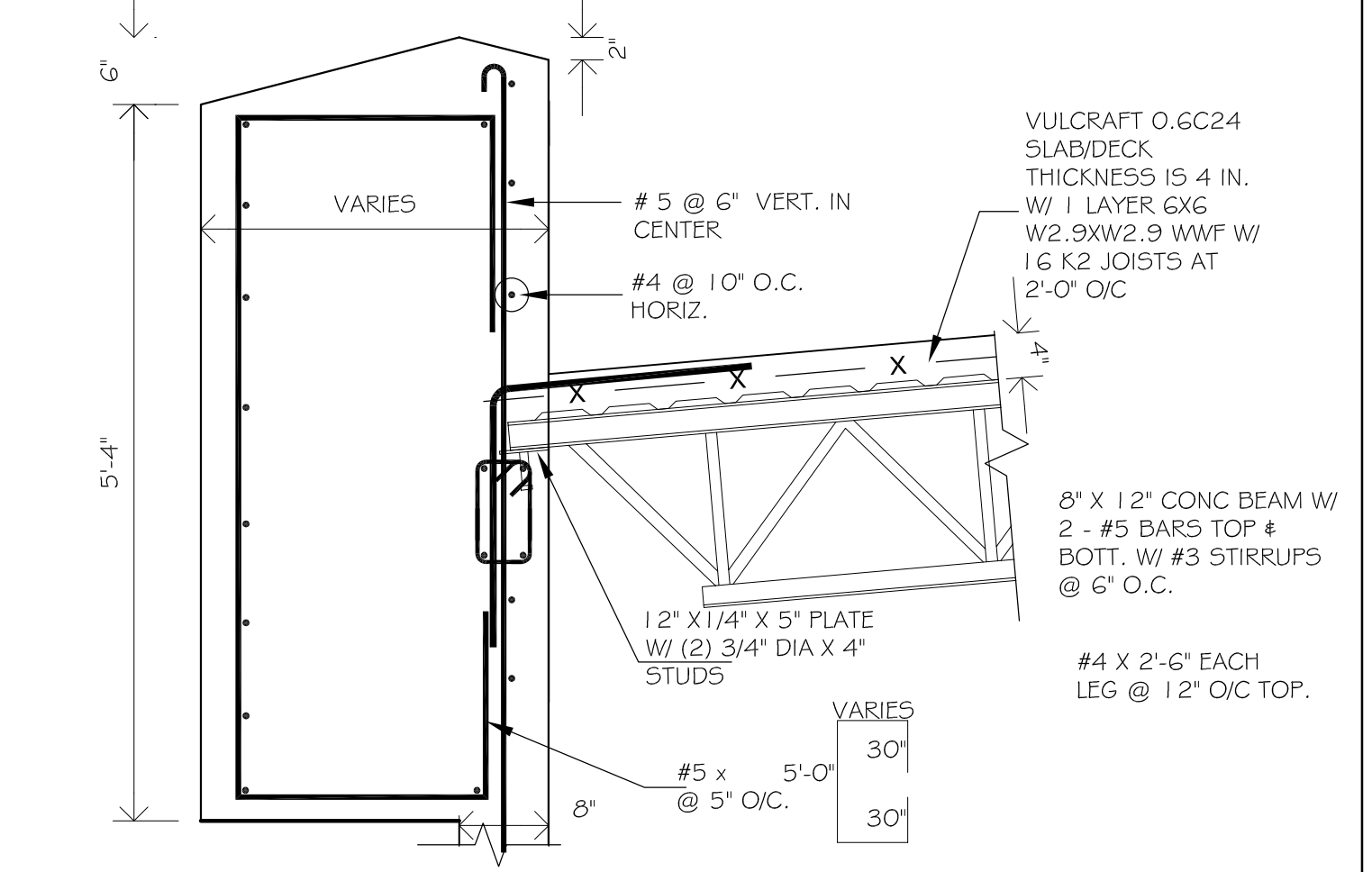
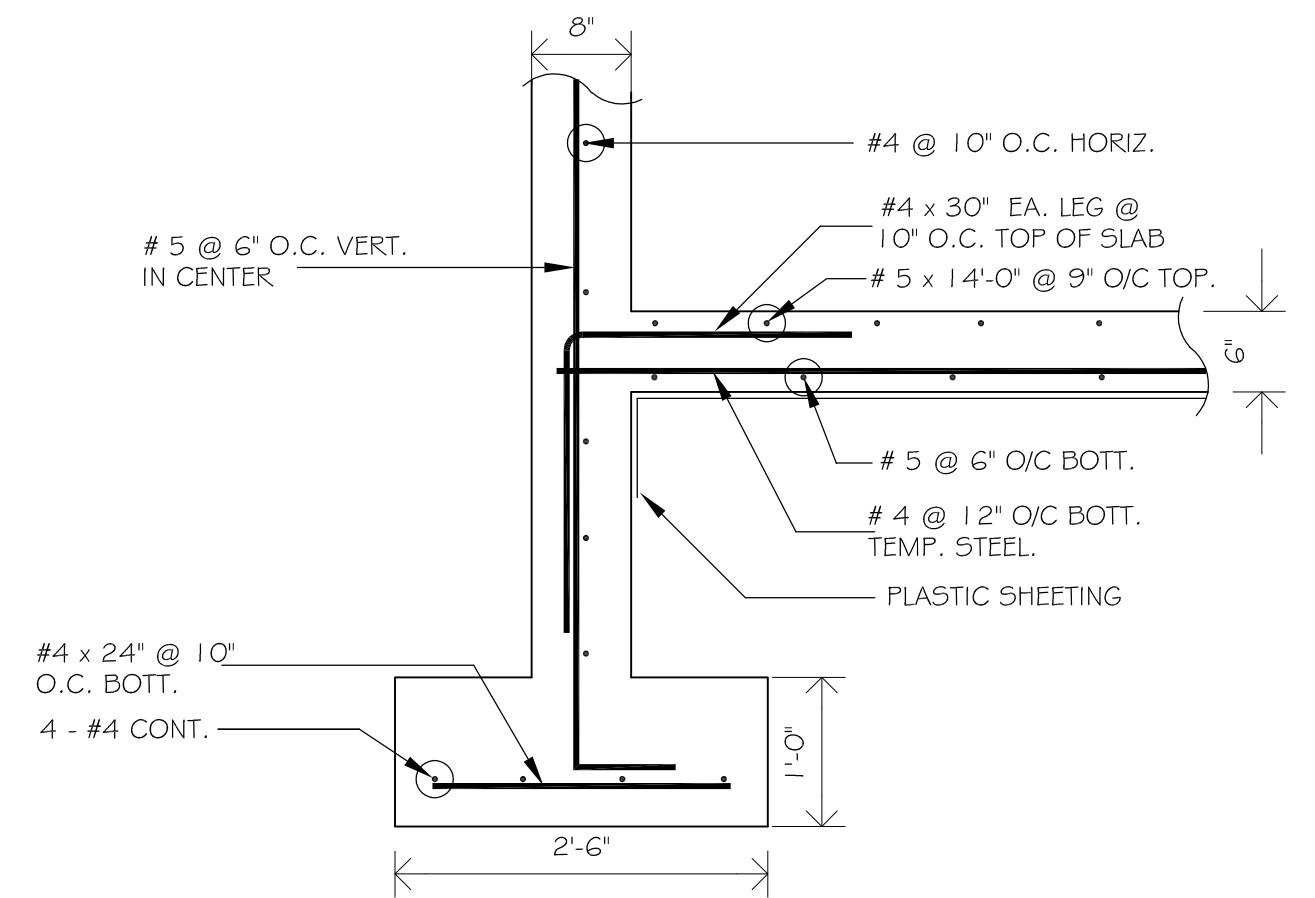
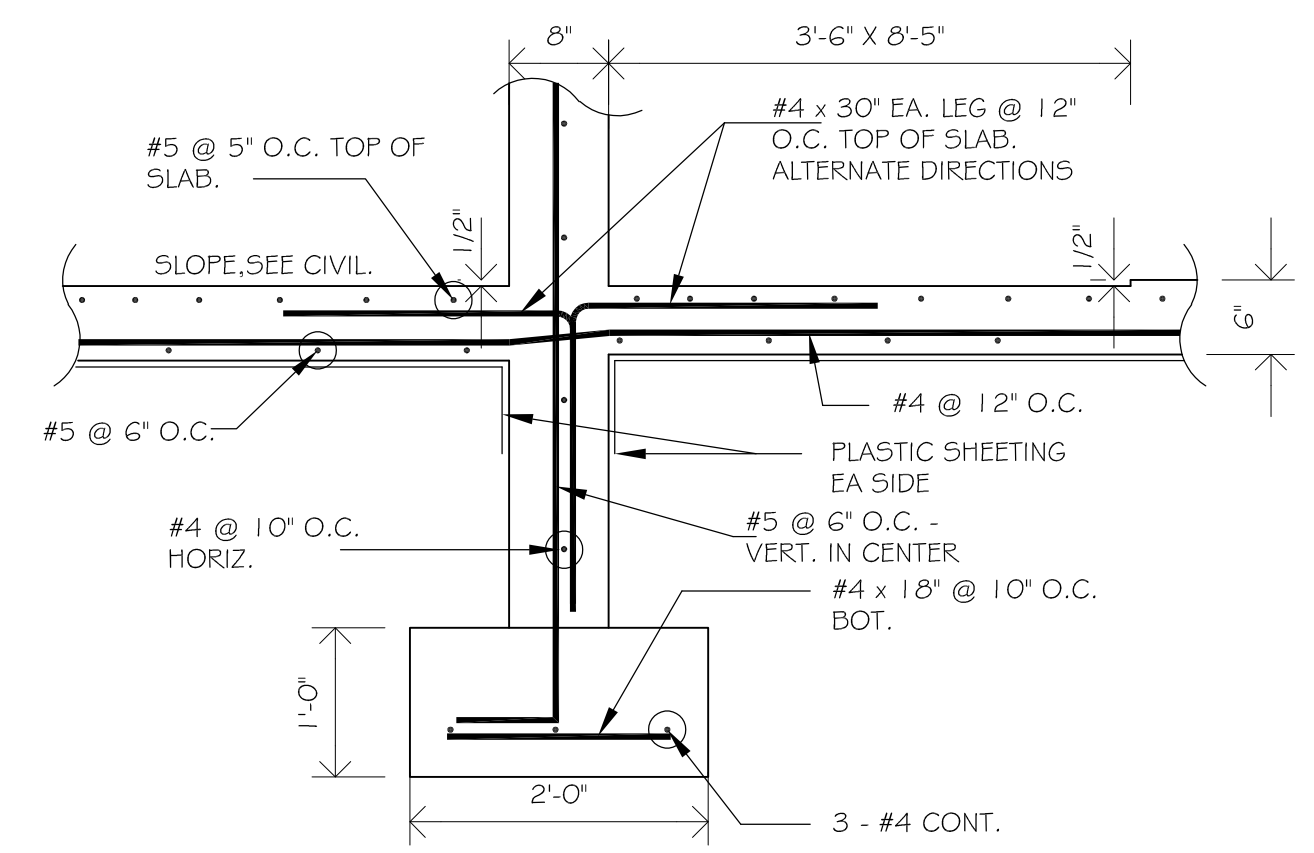
S-106: - SCALE : 3/4" = 1'-0" S-107: - SCALE : 3/4" = 1'-0"



S-102: - SCALE : 3/4" = 1'-0" S-103: - SCALE : 3/4" = 1'-0"

S-104: - SCALE : 3/4" = 1'-0"

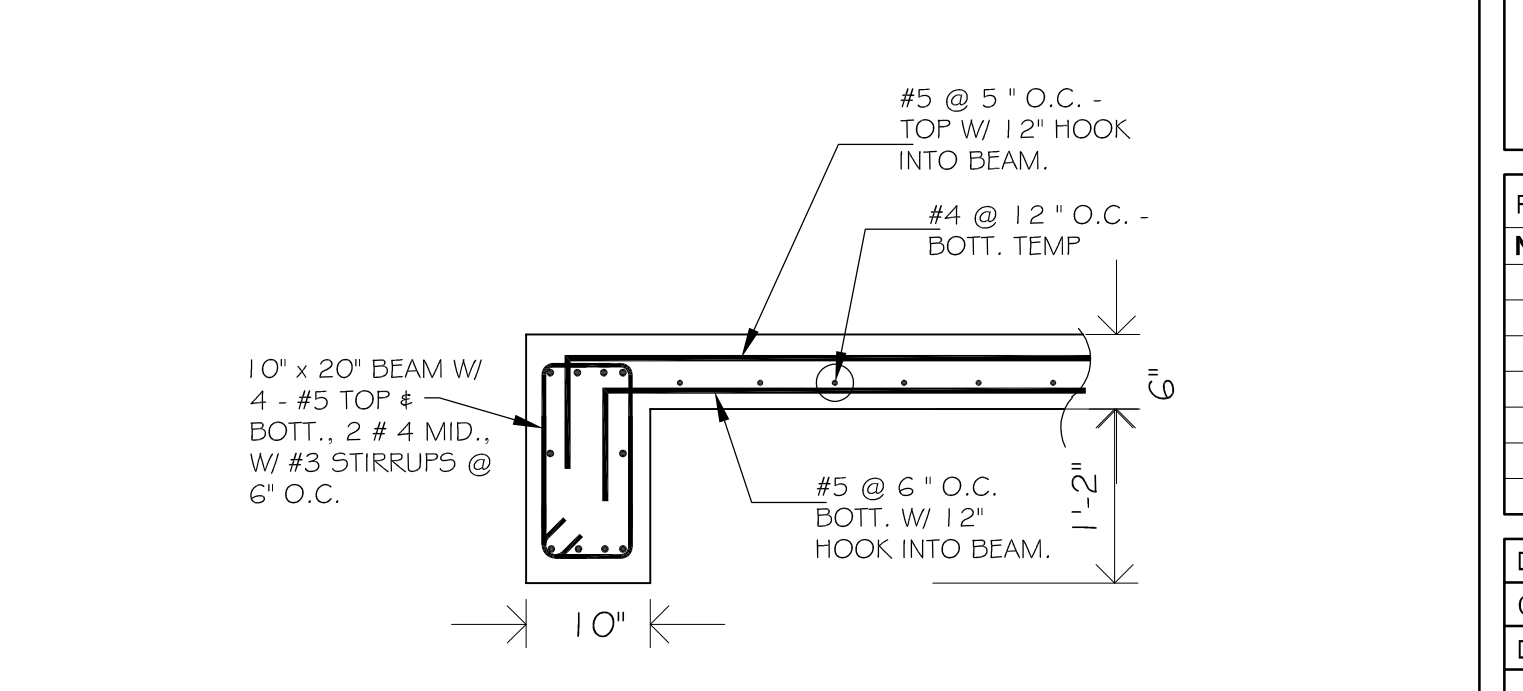
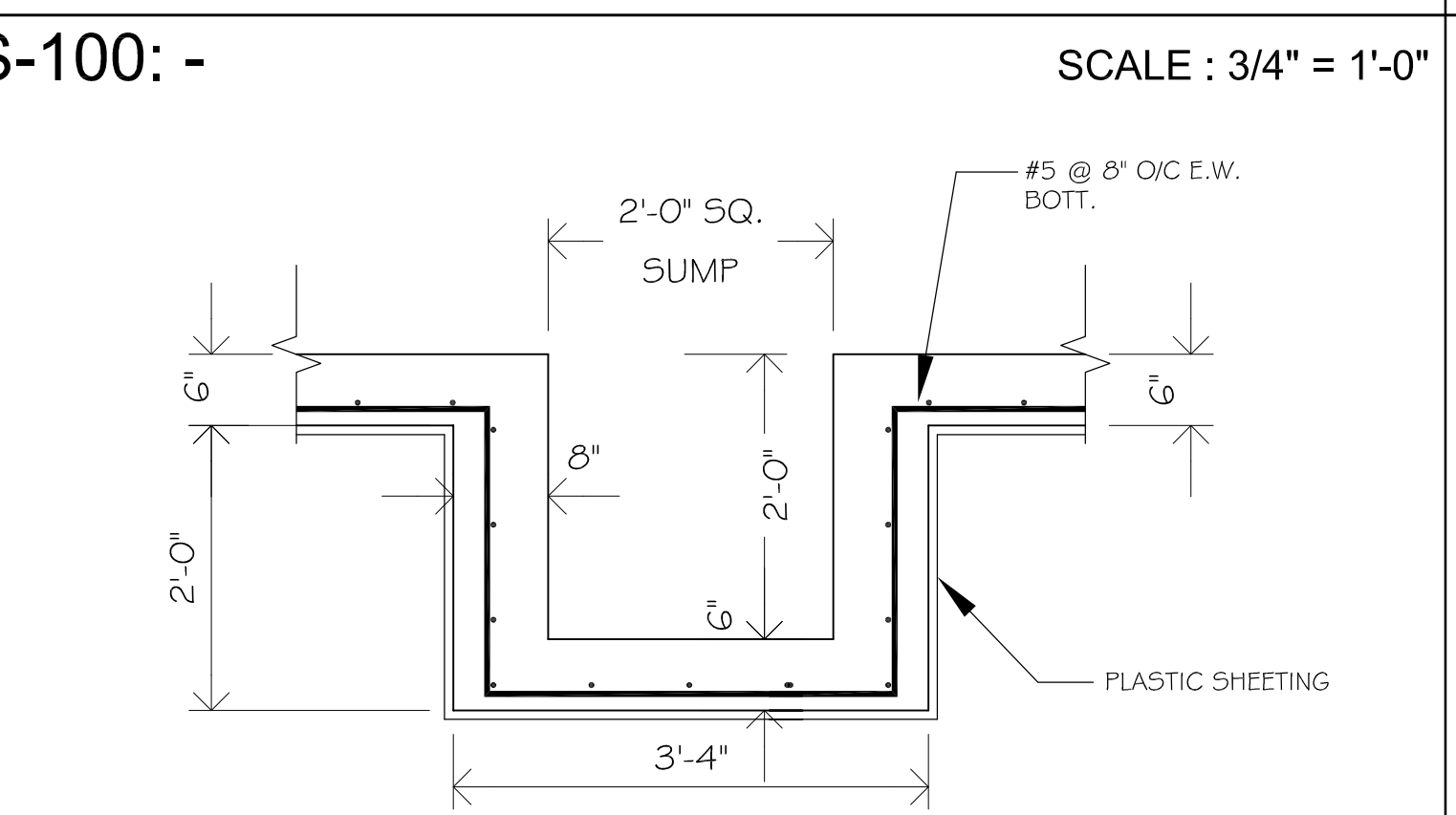
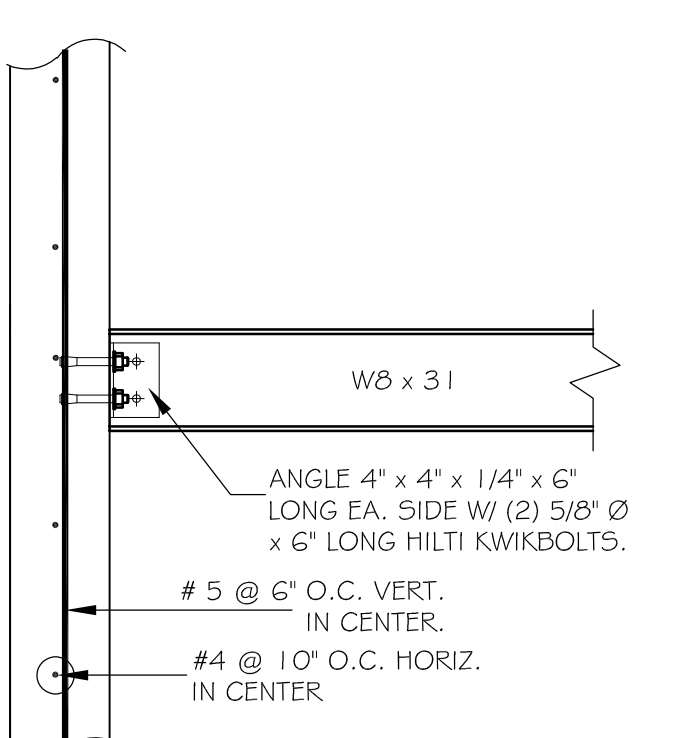
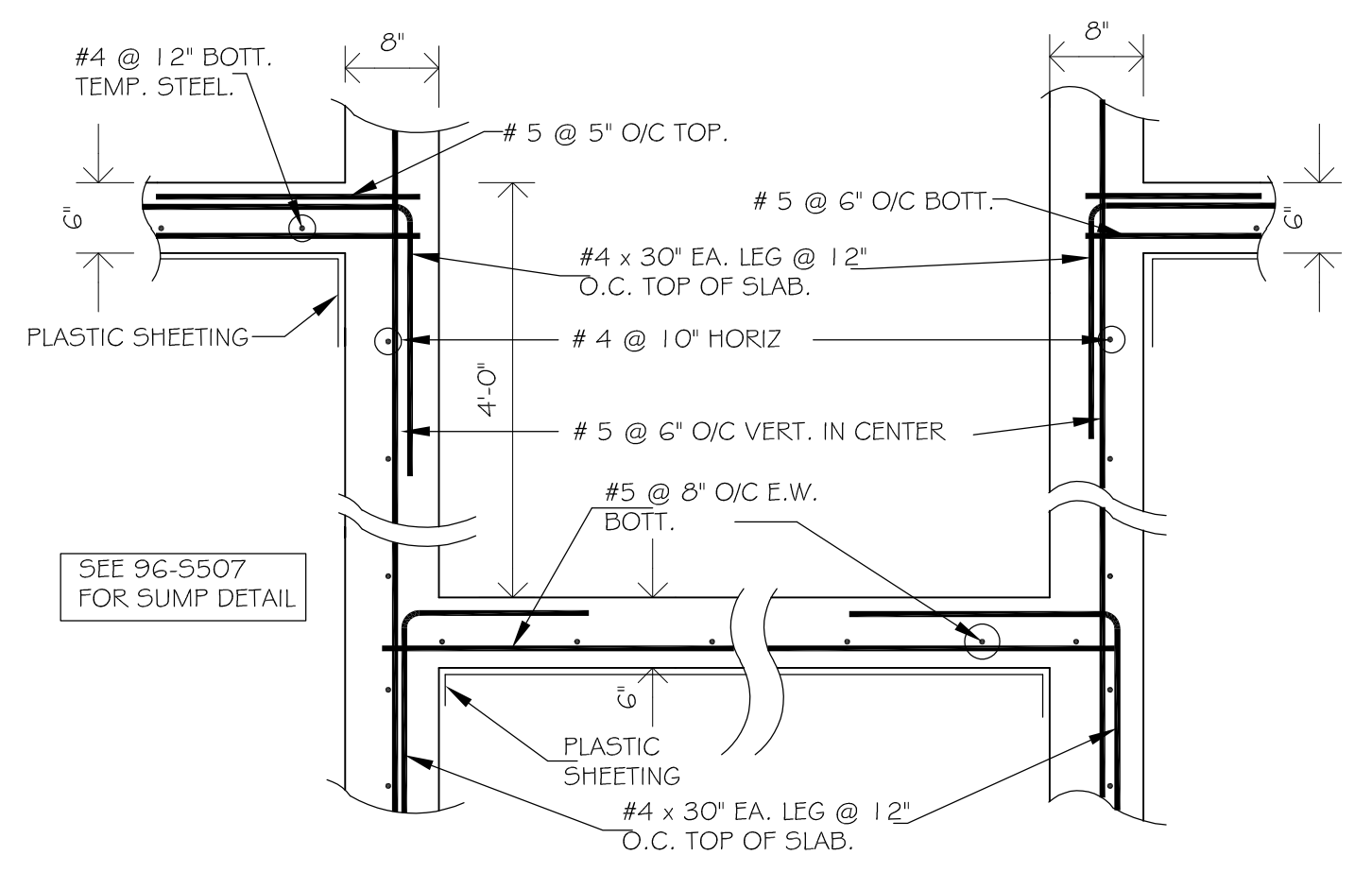
S-105: - SCALE : 3/4" = 1'-0"



S-108: - SCALE : 3/4" = 1'-0" S-109: - SCALE : 3/4" = 1'-0"

S-104: - SCALE : 3/4" = 1'-0"

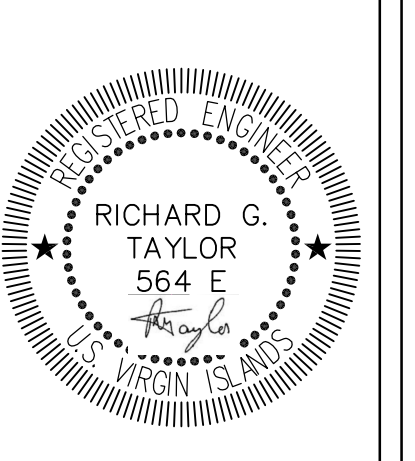
S-101: - SCALE : 3/4" = 1'-0"



S-94: - SCALE : 3/4" = 1'-0" S-95: - ELEVATOR HOIST BEAM SCALE : 3/4" = 1'-0"

S-96: - SCALE : 3/4" = 1'-0"

S-97: - SCALE : 3/4" = 1'-0"



WTJX Broadcasting Facility
 Haypiece Hill, Parcels 158A and 158 Rem
 Submarine base, St. Thomas USVI
 STRUCTURAL DETAIL SHEET 7

REVISIONS:		
No.	Description	Date
1	AD 1	03/07/25

DRAWN BY: RT
 CHECKED BY: RT
 DATE: April 26, 2024
 NOKUS JOB NUMBER
 510-21-1
 SHEET NUMBER
S507

CONSTRUCTION DOCUMENTS